

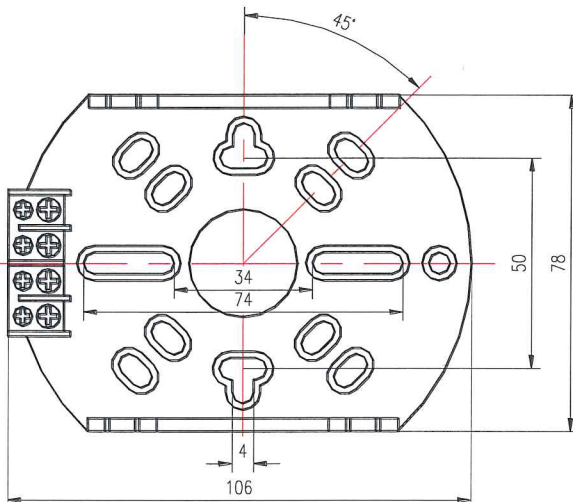
Description

GST-JL Alarm Bell is used in a fire alarm system. When the system confirms a fire signal, control unit in the system will start it to alert people in field.

GST-JL Alarm Bell has aluminum alloy cover, featuring light weight, high loudness, and easy installation. It is activated by a 24VDC motor driving a shaft and link rod without a relay. It has low power consumption and high reliability.

Installation

GST-JL Alarm Bell consists of the alarm bell body and a base. The base should be fixed on the wall firstly. Then connect control cable with the power supply. Then connect the power cable from the alarm bell body to power plug on the base, finally insert the bell body to the base. Base of the Alarm Bell is shown in the following figure.



Connect control cable to 24VDC to test whether the Alarm Bell can work properly.



Specification

Operating Voltage	24VDC±15% (non polarized)
Operating Current	≤21mA (24VDC)
Output Sound Level	>95dB (24VDC)
Dimension:	φ152mm

Cautions

- ✧ Don't connect control cable to high voltage, avoiding damage to the Alarm Bell.
- ✧ Mount the clapper downward.
- ✧ Please contact us in time for any problem.

Limited Warranty

GST warrants that the product will be free from defects in design, materials and workmanship during the warranty period. This warranty shall not apply to any product that is found to have been improperly installed or used in any way not in accordance with the instructions supplied with the product