



# SOTER Technology Multi-Candela LED Flashing Light

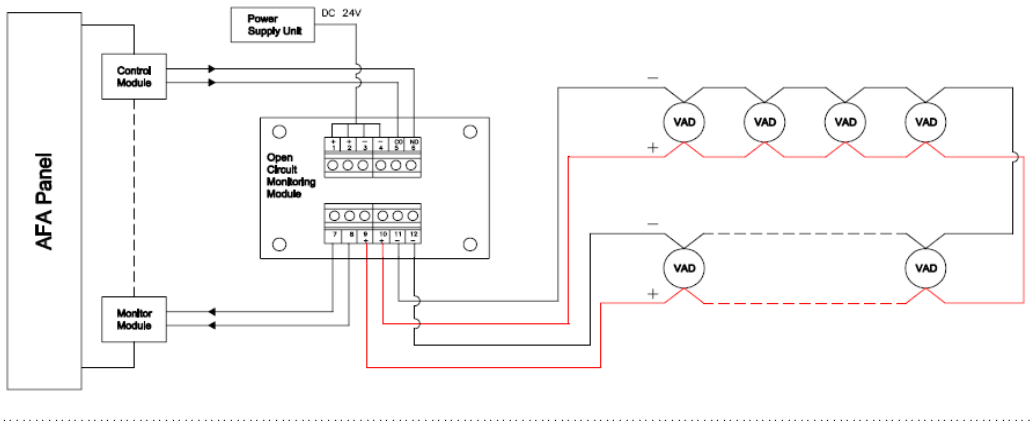
## Product Overview

- LED Flashing Lights provide perfect solution for energy saving
- Less 85% power consumption compared with Xenon Flashing Light
- Up to 40 nos. of flashing lights can be synchronized without using sync. module
- Combined Wall & Ceiling Mount
- Ceiling-mount feature field selectable candela settings of 15/75/115cd
- Wall-mount feature field selectable candela setting of 15/75/110cd
- Flashing Lights produce 1 flash per second
- Use single base for both ceiling and wall mount installations
- For Indoor/ Outdoor (optional accessories) applications
- Label of "FIRE" 10mm height & "火警" 15mm height
- Comply with HKFSD requirement
- Comply with EN50130-4 and EN61000-6-3 Electromagnetic compatibility

## Specifications

- Two-wire appliance wiring shall be capable of directly connecting to the device
- Flashing light shall produce a minimum flash rate of 60 flashes per minute (1 flash per second) over the regulated input voltage range
- Wide range of input voltage 16VDC~32VDC
- Flashing lights shall operate over an extended temperature range of -10°C to +60°C and be listed for maximum humidity of 95%RH non condensing
- IP44 for Indoor & IP67 for Outdoor Applications

## Wiring Diagram (with monitoring open circuit fault)



## Technical Data

### TECHNICAL SPECIFICATION

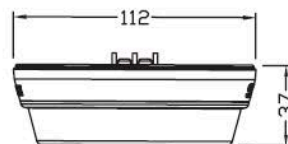
Output	15cd	75cd	110cd	115cd
Current Consumption	18.3mA	43.4mA	60mA	62.2mA
Operating Voltage	16VDC to 32VDC			
Ingress Protection	IP44 (indoor) / IP67 (weatherproof)			
Frequency	1 Hz			
Approx Weight	150g (200g with optional weatherproof kit)			
Operating Temperature	-10°C to + 60°C			
Humidity	95% (non-condensing)			
LED design Life	1,500,000 flash			
Material - Lens	Polycarbonate plastic			
Dimensions-SVMD-WR-115-WB	D112 x 70mm			
Dimensions-SVMD-WR-115	D112 x 37mm			

DESCRIPTION	ORDER CODE
LED Flashing Light (Clear Lens, White Base)	SVMD-WR-115
LED Flashing Light (Red Lens, White Base)	SVMD-RW-115
LED Flashing Light (Red Lens, Red Base)	SVMD-RW-115-RB
LED Flashing Light (Outdoor, Clear Lens, White Base)	SVMD-WR-115-WB
LED Flashing Light (Outdoor, Red Lens, White Base)	SVMD-RW-115-WB
Open Circuit Monitoring Module (Optional)	SARB12-1

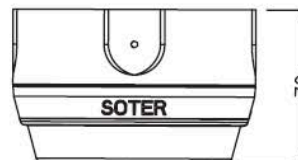
## Dimensions (mm)



Wall Mount



Ceiling Mount



Weatherproof